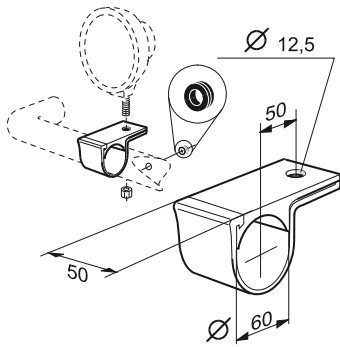


MOUNTING ACCESSORIES

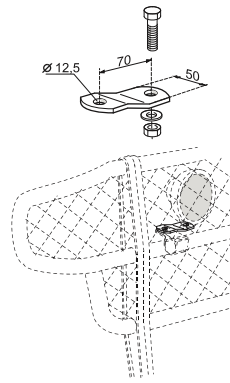
TRUX®

Always in the frontline



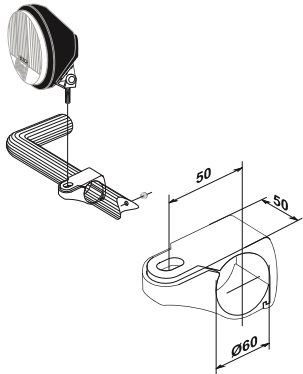
CLAMP

Consist of two parts that are connected and squeezed together with a screw. Allows flexibility when mounting different accessories. A grommet is included with each clamp.



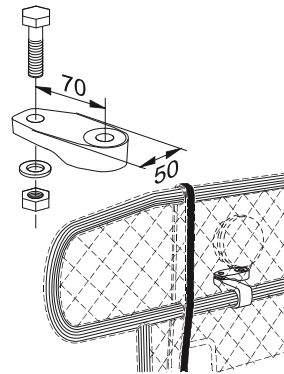
EXTENSION

To be used in cases when the accessory is to be mounted further away from – or sideways from the clamps location.



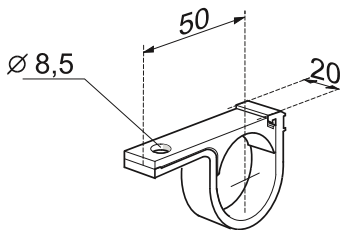
AIRFLOW CLAMP

A clamp designed specifically for our Airflow series. It consists of two parts that are connected and squeezed together with a screw. Allows flexibility when mounting different accessories. A grommet is included with each clamp.



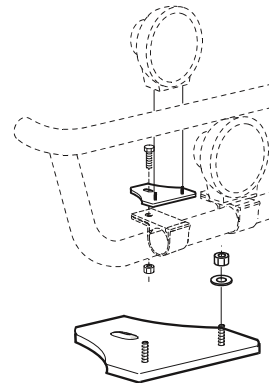
AIRFLOW EXTENSION

Extension suitable for the Airflow clamp design. To be used in cases when the accessory is to be mounted further away from – or sideways from the clamps location.



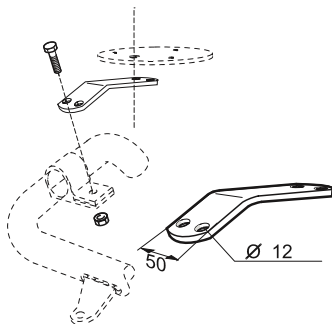
CLAMP, SLIM

Consist of two parts that are connected and squeezed together with a screw. Allows flexibility when mounting different accessories.



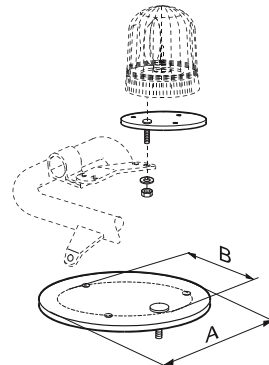
MOUNTING PLATE

For mounting of Hella Luminator in X-Light bars. The plate allows you to mount the Luminators level with the bar.



ANGELED EXTENSION

For mounting beacons on Top-Bars. The four holes gives you many choices for the best location of the beacon.

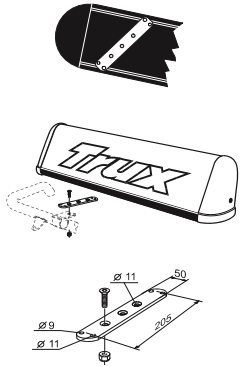


MOUNTING PLATE FOR BEACONS

In three different sizes
 A = 150 mm, B = 107 mm
 A = 165 mm, B = 130 mm
 A = 240 mm, B = 200 mm

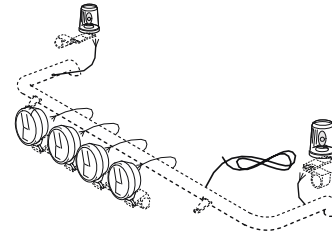
MOUNTED EXTRA LIGHT

We can supply extra lights from Bosch, Hella and more for all of our products, and they can also be mounted directly from the factory.



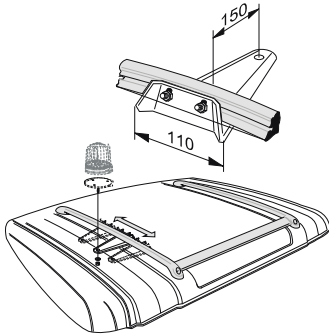
UNIVERSAL FITTING

For roof signs / light bars.
Delivered in a set of two brackets and screws.
Fits most models of roof signs on the market.



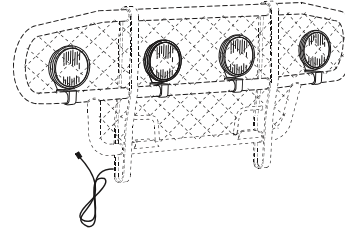
ELECTRIC WIRING

Mounted in Top-Bar, X-Bar or Light-Bar (not for plough lights)
For 2, 4 or 6 units.
Separate electric wiring
For 2, 4 or 6 units.



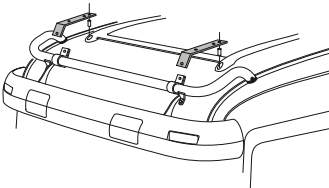
BRACKET FOR ACCESSORIES

To be fitted on Scania 4-, R-, G-, P- and T-series roof rails.



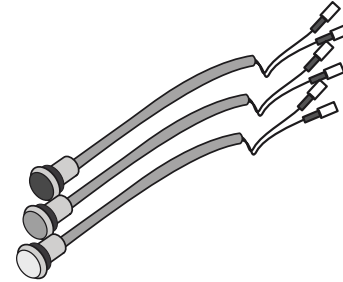
ELECTRIC WIRING

Mounted in front protections, incl. pin plug and 4 clamps and extensions
Separate electric wiring for front protector (excl. clamps and extensions)



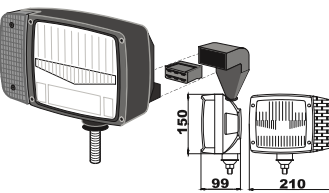
ELEVATION SET FOR ROOF SIGN

For Scania C19N cabin.
Delivered in a set of two brackets with screws and distances.
Note! Excl. clamps!



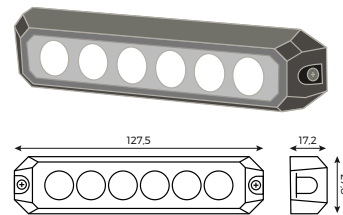
LED LIGHT

Mounted LED-light with 5 or 7 LED
Separate wiring for 5 LED
Separate wiring for 7 LED
Separate LED (white, 3050-3250 kelvin)
Separate LED (orange)
Separate LED (red)



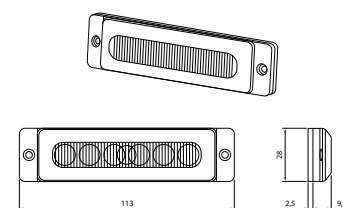
PLOUGH LIGHT HELLA

With high beam, dim light, parking light and side mounted yellow flasher.
Complete with connection and bulbs.



WARNING LIGHTS HELLA

LED warning light with yellow light for horizontal mounting. Several devices can be synchronized and there are five different flash patterns to choose from.



WARNING LIGHTS FLEXTRA

LED warning light with yellow light. Only 9 mm thin.
Approved according to ECE R65.
Several devices can be synchronized and five different flash frequencies to choose from.

ACCESSORIES

PART NO	NAME	WEIGHT
15902	Clamp, anodised Width 50 mm	0,25 kg
15912	Extension, anodised	0,15 kg
15903	Airflow clamp, anodised Width 50 mm	0,35 kg
15923	Airflow extension, anodised	0,2 kg
15956	Clamp, anodised Width 20 mm	0,1 kg
97173	Wiring for 2 units for Top-Bar or Light-Bar	1 kg
97174	Wiring for 4 units for Top-Bar or Light-Bar	1,5 kg
97175	Wiring for 6 units for Top-Bar or Light-Bar	2,5 kg
97185	Wiring for 4 units for front protection (including 4 clamps and 4 extensions)	5 kg
15945	Angled extension for beacons on Top-Bars, anodised, angled 8°	0,15 kg
15946	Angled extension for beacons on Top-Bars, anodised, angled 17°	0,15 kg
15947	Angled extension for beacons on Top-Bars, anodised, angled 50°	0,15 kg
15952	Angled extension for beacons on Top-Bars, anodised, angled 29°	0,15 kg
15961	Angled extension for beacons on Top-Bars, anodised, angled 5°	0,15 kg
15915	Mounting plate for warning beacons, anodised, Ø=150 mm	0,25 kg

PART NO	NAME	WEIGHT
15916	Mounting plate for beacons, anodised, Ø=240 mm	0,65 kg
15917	Mounting plate for beacons, anodised, Ø=165 mm	0,35 kg
15907	Mounting plate for mounting of Hella Luminator to a X-Light, anodised	0,15 kg
20409	Universal fitting for roof signs	0,65 kg
17920	Bracket for accessories to be fitted on Scania 4-, R-, G- and P-series	0,35 kg
17921	Elevation set for Scania C19N cabin (excl. clamps)	1,2 kg
97170	Mounted LED Light with 5 LED	-
97189	Mounted LED Light with 7 LED	-
97092	Separate LED (white 3050-3250 Kelvin)	-
97093	Separate LED (orange)	-
97094	Separate LED (red)	-
97014	Plough light Hella (left)	-
97015	Plough light Hella (right)	-
98044	Separate LED warning light Hella (orange)	-
98144	Mounted LED warning light Hella (orange)	-
98050	Separate LED warning light Flextra (orange)	-
98150	Mounted LED warning light Flextra (orange)	-

TRUX®
Always in the frontline