



Products

A RELIABLE PARTNER



Alucar Oy

Alucar Oy is a leading manufacturer of superstructures and bunks for timber transports. Since founded 1984 Alucar have manufactured productes out of aluminum in order to minimize the weight whithout jeopardizing the sustainability on our constructions.

The company focus all of its work to only include the timber transport segment and thus keep in front of the development in the industry.

Alucars strategy is to use the latest technology and methods in the dayly work and through listening to our customers and partners strive to constant development.

Today Alucar is the market leader on the domestic market and have export activity to over 25 countries all over the world.

Our vison is to be an established brand across the world and through constant development face the though demands on the wordwide markets in order to create farowable conditions for our customers.

Alucar's global network

Alucar's partners around the world
provides you with lokal nearness
and worldklass service.



ALUCAR

Aluminum Superstructure

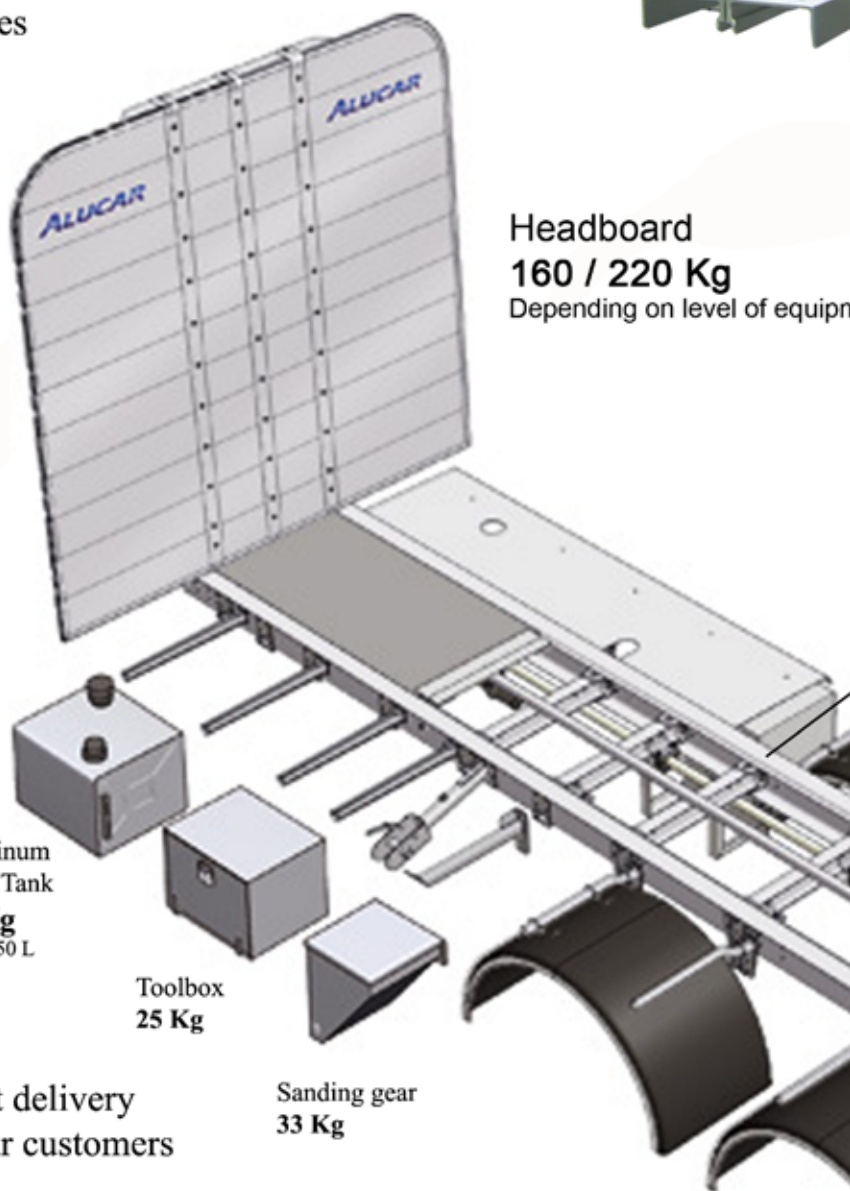
Alucar has supplied complete subframe packages to the timber transport industry since 1984. Our product range offers tailored solutions to suit every truck brand and model on the market. We are focusing on constant development and our products are continuously improved to face the tough demands of the industry.

Alucar is the market leader on the domestic market and have export activity to over 25 countries around the world. Every year Alucar produces around 400 kits tailored according to customers wishes.

We are constantly focusing on producing light weight solutions that are durable and vibration resistance. Our goal is to optimize the profitability for our customers through maximizing payloads and lifecycle of our products.

Alucar has modern production facilities and strives to always use the latest technology and methods in the daily work. We believe short delivery and installation times brings greater value to our customers and dealers.

- *Alucar Offers the most complete subframe package on the market*
- *Alucar superstructure can be ordered pre-assembled. We offer 3 different levels*
- *Alucar have 3 different frame rail profiles and 2 headboard models to suit different needs and markets.*



Headboard
160 / 220 Kg
Depending on level of equipment

Aluminum
Hydr. Tank
37 Kg
150 - 350 L

Toolbox
25 Kg

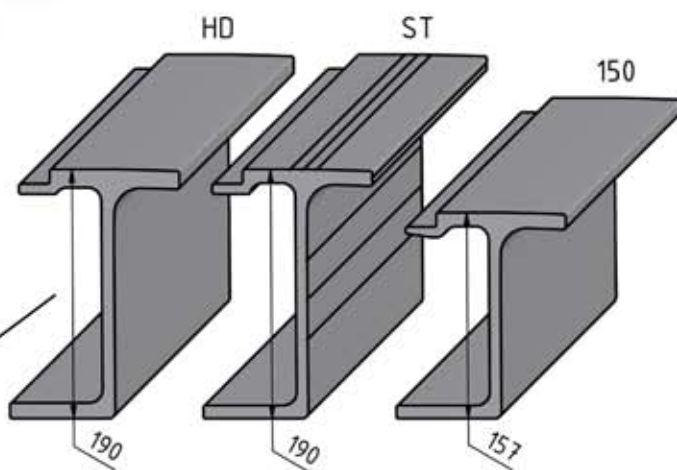
Sanding gear
33 Kg

Framerrails inkl. Crossmembers
and fixing parts

HD - 250 Kg
ST - 230 Kg
150 - 183 Kg



ment



NEWS

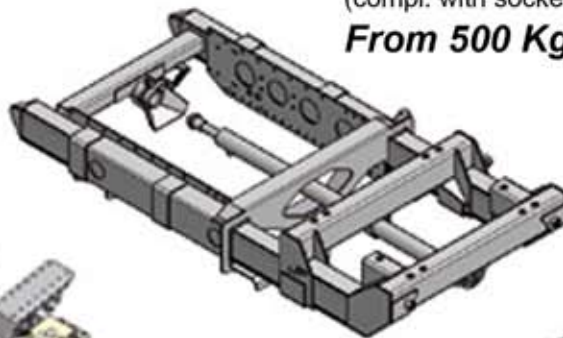
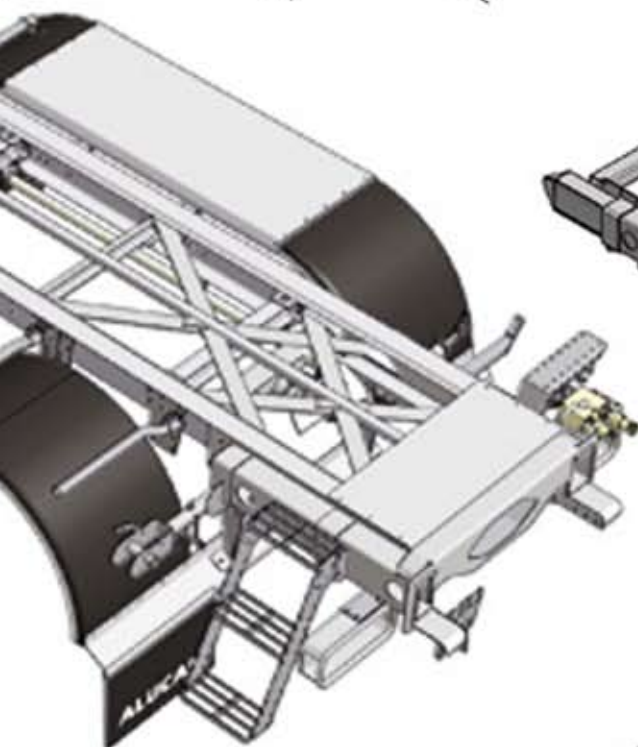
Alucar got the new frame rail profiles

HD - Heavy Duty
ST - Standard
150 - Terminal Truck

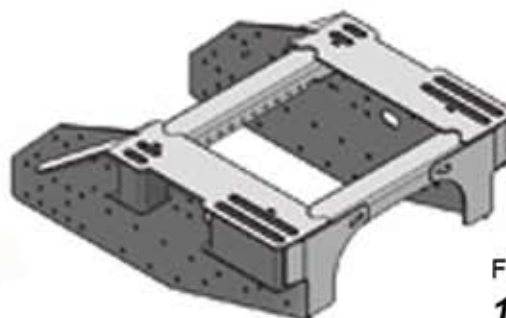
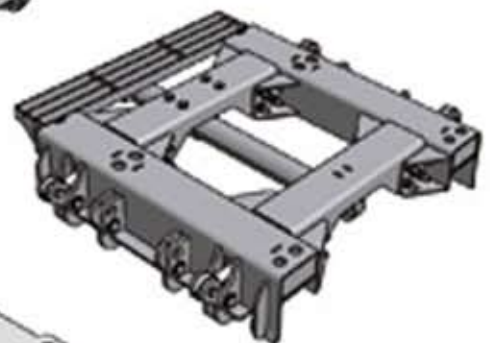
Optimized for different field of use

Detachable crane console
(compl. with socket and cylinder)

From 500 Kg Depending on level of equipment



Detachable Glide Console
280 Kg



Fixed Crane Bracket
180 Kg



Headboard

Alucars light aluminum headboards secures effectively the cabin and driver with stile and functionality. The headboards are carefully tested of independent institutions in order to meet the though demands of SS 2563: 1978. Alucar headboards are produced out of double layer anodized aluminum to achieve the best possible sustainability.

HD - (Heavy Duty) is designed for trucks equipped with crane. HD is extremely durrable and developed to effectivety resist strains accureing when loading and unloading the truck.

ST 50 is extreamly light and designed for terminal and group trucks without crane.



Both models are built up from panels which allow the height to be adapted according to specific needs. This makes it possible to easily exchange panels if they should be damaged in an accident for example. Both models can be equipped with different models of grapple racks, windows, perforated panels, work lights, tool boxes and house storage to name a few accessories.

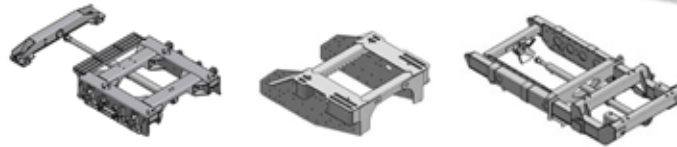
ST 50 whays 140 - 180 KG
HD whays ~ 220 KG

LIGHT, DURABLE AND FUNCTIONAL

CUSTOMIZED ACCORDING
TO YOUR NEEDS







Crane Brackets

Alucar have three models of crane brackets, fixed, detachable and demountable glideconsole. In every case they will be customized for the specific Truck and Cranebrand.

With the detachable consoles the load space can be extended. Crane operating reach is longer, which helps especially when loading the trailer. Furthermore the crane can be detached from the truck in order to save weight and optimize the wood payload

Demountable Glide Console

- The glide function allows the loading length to be adjustable
- Optimized reach ability when loading both truck and trailer
- Wood payload can be optimized by removing the crane after loading
- The crane can be used by several chassis
- Optimized weight balance when the console is driven forward: Better steering ability and savings in tire costs
- Easier turning with crane equipped with cabin
- Outstanding loading comfort and security because of the constant hydraulic tightening and mechanical security locking system

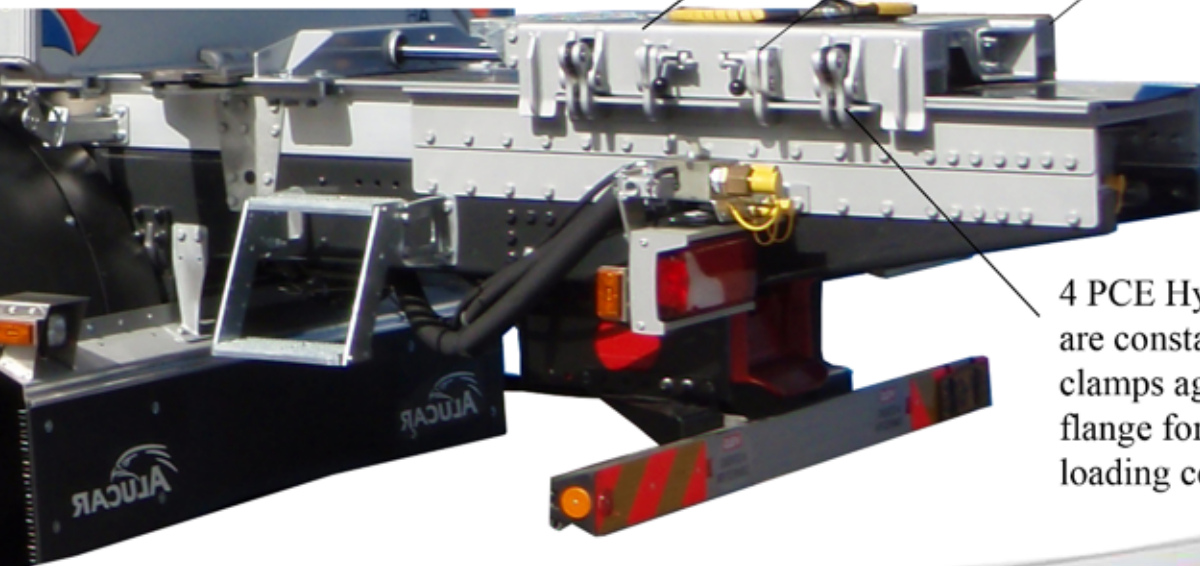
280 Kg

Mechanical security system

800 mm glide function

Can also be delivered without glide function

4 PCE Hydraulic cylinders are constantly tightening the clamps against the subframe flange for optimized loading comfort ability.



Fixed Crane Bracket



Light and durable solution (180 Kg) for shorter loading distances. Suitable for cranes up to 14 tonm. Alucar has also a stronger version for cranes over 16 tonm

Detachable Crane Console



The most traditional detachable console solution on the market. Crane can be driven up to 700 mm backwards for better reach and loading experience of truck and trailer. Easier turning with cabin cranes. Sockets equipped with tighteners ensure steady loading.

ALU · 50 · 70 · 90

- We use only the highest quality alloys in our products
- Anodised stakes and bunk frames secure better and longlasting product
- Stake and bunkframes are secured by bolts, which prevent wearings
- We supply complete bunkfixation assortment to choose from: firm-, quick- and friction attachments
- Aluminium bunk combine economy, maintenance free, durability and security

■ ALU50

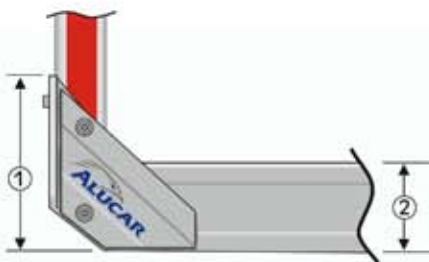
Lightest on the market and maintenance free with one length. Available with reinforced stake.

■ ALU70

Light and steady bunk for demanding timber transport. Available with reinforced stake.

■ ALU90

Flagship of aluminium series.
Lighter and stiffer than ever



	Alu 50	Alu 70	Alu 90
①	330	380	420
②	175	180	185

MODEL	BUNK (mm)	STAKE (mm)	WEIGHT (from)
ALU 50	2550 - 2600	2750 - 2950	84 Kg
ALU 50 E	2550 - 2600	1800/1200 - 2000/1200	83 Kg
ALU 70	2550 - 2600	2750 - 3150	95 Kg
ALU 70E	2550 - 2600	2000/1200 - 2100/1400	101 Kg
ALU 90	2550 - 2600	2850 - 3150	120 Kg
ALU 90E	2550 - 2600	2100/1400	126Kg



Stakes available as extendable and conical







TITAN **TITAN**
50 • 70 • 90 • 100 50E • 70E • 90E • 100E

New Titan Series – Even better!

- Anodised stake
- Zinc primed frame
- Lighter and more durable bunk frame
- Lighter and more durable stake
- Lock pin secured with nut.



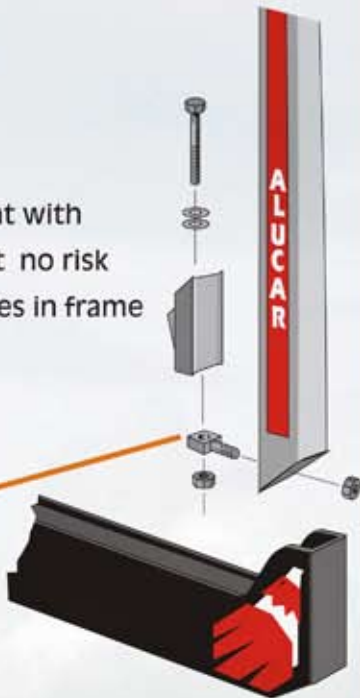
Lock
with



Quality control with decades of experience

Secure attachment with
clamp attachment no risk
for cracks/fractures in frame

pin secured
nut



- We use only the finest quality raw materials
- High Quality Finish: blasting, zinc primed with enamel paint on the bolster, in addition anodised stakes guarantee maintenance free and longer life products.
- Titan bunks are delivered with clamp attachments, which ease transfer.
- Three different types of attachments: clamping, quick and friction attachments.



Firm fixing



Quick fixing



Quick-Glide
fixing

TITAN
50 · 70 · 90 · 100

Conical Stake

TITAN
50E · 70E · 90E · 100E

Extendable Stake

Technical data:

	Titan 50	Titan 70	Titan 90	Titan 100
①	320	320	360	460
②	155	155	180	180

Stål

Stål

Aluminium

ALUCAR

Aluminium

Aluminium

ALUCAR

TITAN 50

TITAN 50

TITAN 70

TITAN 90

TITAN 100





























ALUCAR

Part of the Extendo Group



Alucar Oy is a bodybuilder specialized in planning, manufacturing and selling superstructures and bunks for timber transports. We can offer the industry's widest product range and our products are always manufactured out of the best available raw materials the market can offer. Every component Alucar uses is made of the best possible quality to obtain the well renowned quality Alucar is recognized for. The company's long experience and constant strive for continuously development both from Alucar and the company's partners have contributed to Alucars strong position on the timber transport segment around the world.

ALUCAR OY

Maxmovägen 186
Fi-66640 Maxmo
Tel. +358 (0)207 851 720
Fax +358 (0)207 851 740
www.alucar.com

Seller